



---

## **ROSEDALE INSET MULTI-FUEL STOVE**

Read these instructions carefully before installation and use.  
These instructions should be retained by the user for future reference.

The Rosedale inset stove has a nominal heat output of 5kW and a weight of 80 kg. The flue gas mass flow is 3.2g/s for mineral fuel and 3.3g/s for wood logs. The mean flue gas temperature directly downstream of the flue spigot at nominal heat output is 291 degrees C when burning wood, and 251 degrees C when burning Ancit. The stove is designed as a closed appliance and is capable of intermittent operation.

The stove must be installed to comply with Health and Safety at Work Act 1974, and to all local Building Regulations, including those referring to National and European standards. These need to be complied with when installing the appliance.

CO Alarms:-Building regulations require that whenever a new or replacement fixed solid fuel or wood/biomass appliance is installed in a dwelling a carbon monoxide alarm must be fitted in the same room as the appliance. Further guidance on the installation of the carbon monoxide alarm is available in BS EN 50292:2002 and from the alarm manufacturer's instructions.

Provision of an alarm must not be considered a substitute for either installing the appliance correctly or ensuring regular servicing and maintenance of the appliance and chimney system.

## **UNPACK THE STOVE**

### **CONTENTS**

- Rosedale Inset Multi-Fuel Stove
- Stove Gloves (in ashpan)
- Fixing Kit (incl. Sealing Rope & Bolts)
- Instructions
- Operating tool & Stove handle cover

Carefully unpack the multi-fuel stove, **leaving the plastic cover on if building work is still in progress - it is important to protect the paint finish from any damage, water, dust, or fire cement.**

## **CLEARANCES**

A suitable back and hearth of non-combustible material must be provided. The hearth must extend at least 300 mm in front of the stove. If the Rosedale is to be installed with a fire surround, we recommend a minimum clearance of 350mm from the top of the stove, and 200mm at each side of the stove, from any combustible material. We cannot guarantee that a wooden mantle or painted finishes will not crack or discolour with the heat. All fire surrounds, fireplaces etc. should be suitable for use with solid fuel heating appliances.

## **INSTALLATION**

A minimum flue draught of 12 Pa is required for nominal heat output. As referred to in document J of the Building Regulations, the Rosedale does not require any purpose provided ventilation. It is important that any inlet grilles are so positioned that they are not liable to blockage. It is essential that the stove has adequate air supply for combustion and ventilation. Apertures provided for this purpose shall not be restricted.

The appliance must be installed on a floor with an adequate load-bearing capacity. If an existing construction doesn't meet the prerequisite, suitable measures (e.g. load distributing plate) shall be taken to achieve it.

The Rosedale inset stove requires a Class 1 chimney which must be sound, free from leaks and swept before installation. The length of the chimney must be at least 4.5 metres from the top of the stove, and must finish in a down draught free area. A stove must not be installed into a room where there is an extractor fan, or fumes could be pulled down the chimney. The Rosedale inset stove can be fitted straight into a fire opening after the chair back has been removed. If there is a flue liner, this must be suitable for solid fuel and a minimum of 150mm internal diameter. You may need a flue liner adapter to connect to the stove.

It is possible to sweep the chimney from inside the Rosedale stove, after removing the baffle plate. Alternatively a facility for sweeping the chimney may be provided, and this may be done by installing a soot door in the brickwork.

Take the Rosedale stove off the pallet. In the sealing kit provided there is some ceramic rope with an adhesive strip, cut this rope to length so it fits around edge on the back of the stove. Remove the wax strip on the ceramic rope and adhere it into position, adhesive side to the stove.

Carefully manoeuvre the stove into the fireplace opening, being careful not to damage the hearth or the paint work on the body of the stove. There is a fixing strip that goes underneath the stove. It is bolted down into the hearth with 2 expanding bolts supplied with the stove. There is a choice of 4 elongated holes in total in the fixing strip. The fixing strip pulls the stove down onto the hearth, resting on the ledge at either side of the stove. You have quite a lot of flexibility on the position front to back of the fixing strip. Ideally the fixing strip needs to be central front to back. You will need to work out where the stove will be, mark out the drill positions, then remove the stove from the opening and drill the two holes. You can at this point get ready for connecting the liner to the stove. Adjust the liner to the correct length. There is a collar that connects to the stove with four

bolts. Connect the flue to the collar and push the liner up the chimney. Then put the stove back into the opening and fasten down the fixing strip, you will need a 10mm spanner to tighten the expanding bolts down. The bottom section under the stove must also be airtight to stop any air finding its way under and around the back of the stove. Reach up through the stove and pull the stove collar down from the chimney. Use the four bolts supplied to pull the collar down to the stove, forming an air tight seal. There are two fibre rope seals on these.

Using fire cement press a sufficient amount all around the base under the stove and the bottom of the fireplace opening. Make sure that all joints and connections are well sealed. Then, using fire cement, seal up where the firebrick (or throat area) meets the flue outlet of the stove. This is to prevent fumes coming out of the stove and going back down behind the Rosedale.

When installation is complete, light a fire and make sure all joints are sealed. The stove is painted with a high temperature paint finish. The paint will be cured when most surfaces have reached about 246 degrees C. During the initial burn off period you will notice an unpleasant smell; you should not touch or wipe the paint during this period as it will be soft and may mark.

The room should be well ventilated, children and pets should be kept away. Do not use water to clean the stove, either before or after it is cured.

## **LIGHTING THE STOVE**

When ready to light the stove for the first time, make sure that everything is removed from the ashpan, and open all air vents on the stove. First burn some newspaper in the stove, with the door closed, to warm the flue, as there may be down draught initially. The temperature in the flue has to be increased to change the down draught to up draught. If down draught persists, try burning a blow torch in the stove, facing the flue for a minute or two. If there is a soot door fitted, try warming the flue through the soot door.

When ready to light the stove, put a small piece of fire lighter, about 25mm square is big enough, and then add small sticks, taking care not to smother the flames. Then add small logs, gradually increasing the size, or solid fuel. Once the fire is well established the bottom air vent can be closed, and the fire can be controlled from the top air controls, with out having to bend down. The air vents do become hot, so use a glove or small poker to open or close the air vents, they only need moving slightly to open or close the air gap. When burning solid fuel, it is necessary to leave the bottom air vent slightly open to avoid damaging the grate, air must go through the grate to keep it cool.

To close the stove down, close the bottom air vent, and the top air vents. Depending on the fuel and the amount of draught in the chimney, it may be necessary to leave the top vents open slightly to allow the glass to burn clean, and it is necessary to leave a small amount of air through the bottom vents when burning certain solid fuels. A stove handle cover is included with the stove – place the black cover over the handle when opening and closing the door, then remove and leave near the stove.

In the presence of children, elderly or infirm people a fireguard should be used. The fireguard should be manufactured in accordance with BS 8423:2002 – Fireguards for use with solid fuel appliances.

User warning - parts become very hot while the stove is running so should not be touched with bare hands. The special operating tool, stove handle cover and a pair of gloves are provided for operation of the hot stove.

**DO NOT OPEN THE BOTTOM AIR VENT WITH THE TOP ONES CLOSED, THIS WILL DAMAGE THE GLASS.** When all the air vents are closed the glass may become black because the clean burn will be shut off. To burn the glass clean, make a good fire to get the stove hot, close the bottom vent and leave the top air vents open.

The appliance is designed to operate efficiently with the fire door closed. The door should be kept closed at all times, except when refuelling or removing ashes.

## **TO RE-FUEL THE STOVE**

Open all air vents and then open the stove door gently, using the stove gloves. Put more logs or solid fuel on the stove and close the door. Do not overfill the firebox, maximum filling height 100mm. Allow the fire to burn through before closing the bottom air vent and then close the top air vents as much as required.

## **FUELS**

This appliance has been tested using seasoned wood logs and manufactured briquetted smokeless fuel (Ancit) for closed appliances, sized between 20g and 140g. Other fuels are commercially available and may give similar results. Do not use household coal, use a recommended smokeless fuel. It is a good idea to try small quantities of different fuels until you find one that suits your chimney. Petrocoke or any petroleum based fuel must NOT be used, they burn excessively hot and will destroy parts of the stove in a very short time. If using logs, the logs need to be dry, seasoned logs, i.e. no more than 20% moisture content, maximum log length up to 300mm. Small pieces of kiln dried timber can burn very hot, take care that the fire does not get out of control. The stove is designed to burn wood or solid fuel.

**WARNING – USING A NON APPROVED FUEL MAY CAUSE DAMAGE TO THE STOVE AND WILL NOT BE COVERED BY OUR GUARANTEE. WOOD NEEDS TO BE DRY AND SEASONED (MAXIMUM 20% MOISTURE CONTENT)  
DO NOT BURN ANY LIQUID FUEL. DO NOT BURN WOOD PELLETS. DO NOT BURN WOOD CHIPS. DO NOT BURN ANY RUBBISH ON THE STOVE. DO NOT USE HOUSEHOLD COAL, HIGH PETROLEUM BASED FUELS, PETROCOKE, COSY COKE, EXCEL, PUREHEAT, NEWHEAT, BURNWELL OR ANTHRACITE. (A COMPREHENSIVE LIST OF APPROVED FUELS FOR CLOSED APPLIANCES IS AVAILABLE ON THE HETAS WEBSITE)**

Suitable manufactured smokeless fuels approved by Hetas for use in closed stoves include Homefire Ovals, Phurnacite, Taybrite, Multiheat, Brazier, Ancit, Briteheat and Ecoal 50.

## **CLEANING THE STOVE AND FLUE**

It is important to remove the ashes regularly, if the ash builds up through the grate, the grate could overheat and distort. Open the fire door with the stove glove provided, and using the tool, gently pull out the ashpan a little way. Then remove the tool and slot it in from the top of the slot in the middle of the ashpan. The tool will then have a firm grip on the ashpan. Carefully carry the ashes out to dispose of them, or use a 'Tippy' or similar ash carrier.

When the stove is being used regularly, it will be necessary to remove the baffle once a year to clean any debris that may have collected there. The chimney/flue should be swept and checked every year. The glass on the stove door can be cleaned (better when the glass is cool), using a damp cloth, or sponge pan scrubber for any stubborn marks. Stove glass cleaner may be used if required.

The body of the stove can be brushed with a soft brush, do not use water on the paintwork.

If, in time, the body of the stove needs touching up, a touch-up aerosol of paint, the same as originally used in the factory, can be obtained from your supplier.

**Warning – do not use an aerosol spray near the stove when the stove is alight.**

This appliance should be regularly maintained by a competent service engineer. There must be no unauthorised modification of the appliance. Any replacement parts must be recommended by the Manufacturer.

If the stove is to be left unused for a prolonged period of time then it should be given a thorough clean to remove ash and unburned fuel residues. To enable a good flow of air through the appliance to reduce condensation and subsequent damage, leave the air controls fully open.

It is important that the flue connection, any appliance baffles or throat plates and the chimney are swept prior to lighting up after a prolonged shutdown period.

## **TROUBLE SHOOTING**

### 1. The stove is not burning well.

The stove may need more fuel loading - load more fuel, see 'lighting the stove'

The wood may be un-seasoned or damp - avoid using unsuitable wood, burn smokeless fuel until the wood is dry and seasoned.

The chimney may need sweeping, or there may be a build up of debris above the baffle - see 'Cleaning the Stove and Flue'

The fuel may be too hard, e.g. some anthracites and cokes require a lot of draught to maintain a high burning temperature, so try a solid fuel that burns at a lower temperature. There may not be the required flue draught in the chimney/flue. In this case a longer chimney pot may help, or there may be a blockage in the flue.

### 2. Smoke is coming into the room.

There may be down draught conditions, see paragraph 1 of 'Lighting the Stove'. If it is not possible to stop the down draught by warming the flue as described, it is advisable to leave the stove unlit and test conditions later.

### 3. The stove is burning too hot.

Make sure the stove door is closed properly, and check that all air vents are closed. Check the rope seal on the door. If this needs replacing, ceramic rope and heatproof adhesive can be obtained from your supplier.

## **WARNING NOTE**

Properly installed, operated and maintained this stove will not emit fumes into the dwelling. Occasional fumes from de-ashing and re-fuelling may occur. However, persistent fume emission is potentially dangerous and must not be tolerated. If fume emission does persist, then the following immediate action should be taken:-

(a) Open doors and windows to ventilate the room and then leave the premises.

(b) Let the fire go out.

(c) Check for flue or chimney blockage and clean if required.

(d) Do not attempt to relight the fire until the cause of the fume emission has been identified and corrected. If necessary seek expert advice.

The most common cause of fume emission is flueway or chimney blockage. For your own safety these must be kept clean at all times.

## **IN CASE OF A CHIMNEY FIRE –**

**CLOSE ALL AIR VENTS IF POSSIBLE.**

**MAKE SURE THERE IS NOTHING COMBUSTIBLE NEAR THE STOVE.**

**MOVE PEOPLE AWAY FROM THE ROOM.**

**CLOSE THE ROOM DOOR**

**PHONE THE FIRE BRIGADE.**

## **COMMISSIONING AND HANDOVER INSTRUCTIONS**

Ensure all parts are fitted in accordance with the instructions.

On completion of the installation allow a suitable period of time for any fire cement and mortar to dry out, before lighting the stove.

Once the stove is under fire check all seals for soundness and check that the flue is functioning correctly and that all products of combustion are vented safely to atmosphere via the chimney terminal.

On completion of the installation and commissioning ensure that the operating instructions for the stove are left with the customer.

Ensure to advise the customer on the correct use of the appliance and operating tools and warn them to use only the recommended fuel for the stoves.

Advise the user what to do should smoke or fumes be emitted from the stove.

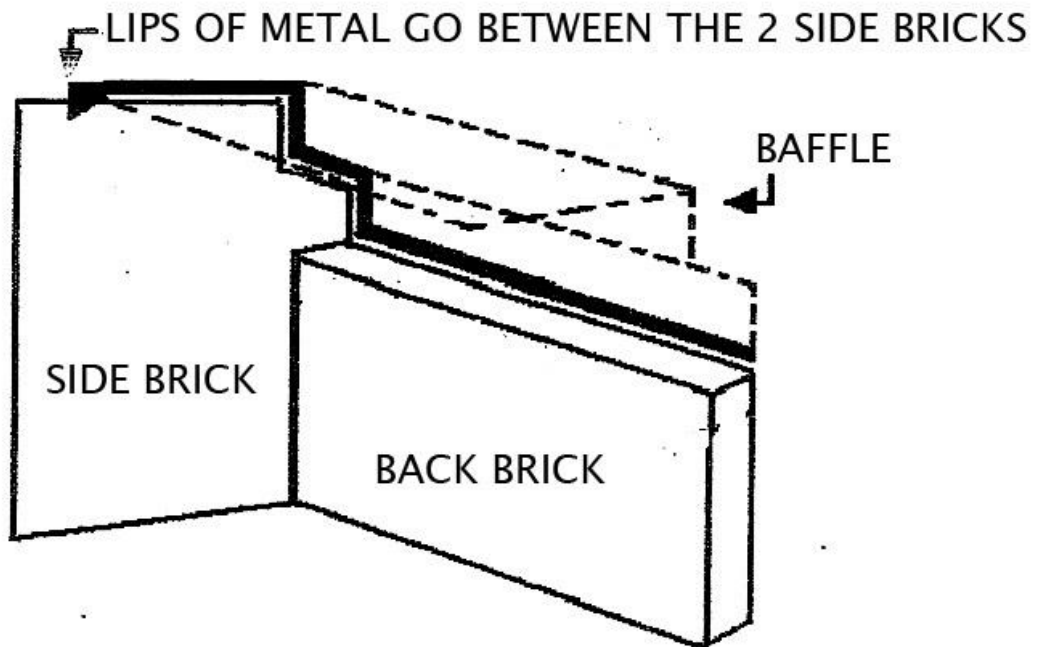
The customer should be warned to use a fireguard to BS8423:2002 in the presence of children, elderly and / or infirm persons.

Issue No. 05 30/08/2017

<b>Product Fiche</b>	
<b>Commission Delegated Regulation (EU) 2015/1187</b>	
<b>Energy Labelling of Local Space Heaters</b>	
<b>Supplier's Name or Trademark:</b>	<b>Town &amp; Country Fires</b>
<b>Suppliers Model Identifier:</b>	<b>Rosedale Inset/Rosedale Inset St</b>
<b>Energy Efficiency Class of Model:</b>	<b>A</b>
<b>Nominal Heat Output to Room (kW):</b>	<b>4.9</b>
<b>Nominal Heat Output to Water (kW):</b>	<b>n/a</b>
<b>Net Efficiency (%):</b>	<b>78.4</b>
<b>Energy Efficiency Index (%):</b>	<b>104</b>

# town & country fires

## BAFFLE POSITIONING DIAGRAM



WHEN PUTTING THE BAFFLE INTO THE STOVE TAKE THE CASTLE OUT. THEN REMOVE THE RIGHT HAND SIDE BRICK

THEN PUT THE BAFFLE INTO POSITION. NEXT REPLACE THE SIDE BRICK AND FINALLY THE CASTLE.



## The Town and Country Fires Guarantee

Town and Country Fires Ltd guarantee the quality of workmanship of their multi fuel stoves for twelve months from the date of purchase.

Stoves must be installed to current Building Regulations, National and European Standards and per our Installation / User instructions supplied with the stove. Installation must be carried out by a competent installer.

Using a non approved fuel may cause damage to the stove and will not be covered by our guarantee,. Wood needs to be dry and seasoned (maximum 20% moisture content). Do not use household coal, petroleum based fuels, Petrocoke, Cozycoke, Excell, Burnwell and Anthracite. (A comprehensive list of approved fuels for closed appliances is available on the HETAS website)

Usage of our multi fuel stoves should be as per our Installation / User Instructions provided with the stove.

Any warranty claim requires Proof of defective workmanship and delivery of the defective product to our factory within twelve months of the date of purchase.

Parts which are classed as consumables and are excluded from our Guarantee include;

Grates, Fire Bricks, Baffles, Fuel Guards, Ash Pan, Glass, Door / Glass Seals and Paint.

Claims under this guarantee should be made through the Approved Town and Country Dealer the appliance was originally purchased from.

Please complete the enclosed form in full to validate your guarantee, and extend the guarantee from one year to ten years. Please note the extended guarantee is only valid when your stove was purchased from a Local Approved Town and Country Dealer and not a third party reseller.

Town and Country Fires are not liable for any incidental loss, damage or injury, however caused.

This Guarantee is only applicable in the UK.

This Guarantee does not affect your statutory rights.

Please keep this page for your future reference.

Issue No. 01      01/03/2010